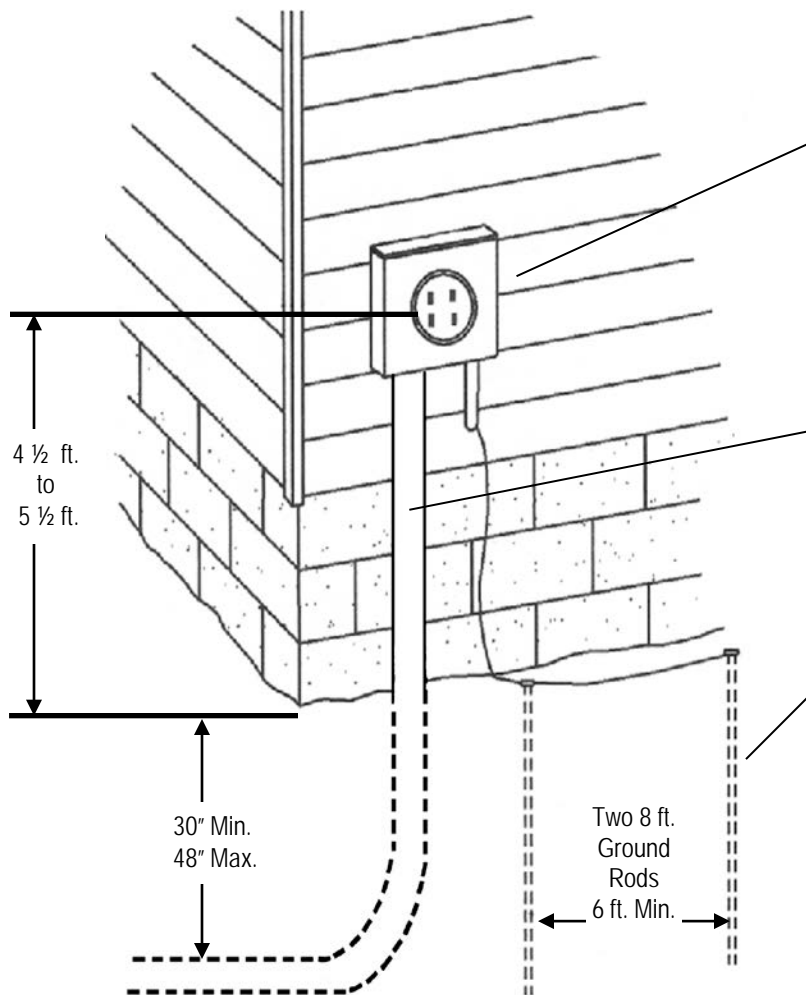


# Underground Service on a Permanent Building

United Electric Cooperative, Incorporated – 1-888-581-8969



Electric Meters must be located in an accessible area. The area must be free of obstructions, i.e. trees, plants, fences.

200 Amp underground-type meter base furnished and installed by owner. Exact location of meterbase must be approved by the Cooperative.

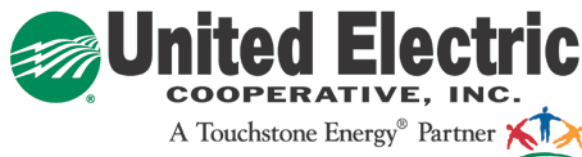
DO NOT USE CENTER BOTTOM KNOCKOUT

Member must supply and install a 3 inch connector in meterbase and conduit (min. schedule 40) from meterbase to transformer location or pole. An expansion joint must be installed under meterbase to allow for settling. Conduit at the pole must be against the pole and extend a minimum of 12" above finished ground level.

**Grounding** - Install a continuous #4 copper grounding wire from 200 Amp disconnect panel to two approved ground clamp and rods 8 ft. deep and a minimum of 6 ft. apart. You must also ground to any well casing or underground metallic water piping system (if available) to the same ground rods. Use a continuous #6 copper grounding wire for a 100 Amp service. Ground rod should be driven flush with grade.

3" Schedule-40 conduit is to be provided and installed by the member from meter base to transformer location or pole on a route designated by the Cooperative with a minimum of turns.

- Underground service wire is furnished by the Cooperative.
- Member must provide and install 3" conduit (with minimum 1/4" nylon pull rope). All 90 degree turns will have a minimum 36" radius.



P.O. Box 688, DuBois, PA 15801 Phone 1-888-581-8969

# Specifications for Underground Electrical Installations

United Electric Cooperative, Incorporated – 1-888-581-8969

1. **Meterbase must meet the following specifications:** Meter bases for underground will be 200AMP, 14" high x 11" wide x 4 3/8" deep or larger. The Meterbase must be steel cased with 4-jaw pressure plates for connections. It must be ringless with standard knockouts, and have horn type bypass. Unused hub opening and open knockouts shall have tamperproof closing plates installed. Multiple position meterbases shall have individual sealable cover for each position. Extra position wiring space (if provided) shall be located on or near center and shall have an individual sealable cover.
2. Owner must rough grade site to within 6" of final grade and remove all obstructions.
3. Owner shall excavate a trench and install schedule-40 conduit a minimum of 30" below finished grade (not to exceed 48") from the meterbase to the transformer location or pole on a route designated by the Cooperative. This conduit shall have a minimum ¼" nylon pull rope of sufficient length installed. An expansion joint must be installed under the meterbase to allow for settling. Any turns in the conduit shall have a minimum 36" radius. It is the member's responsibility to maintain this conduit in serviceable condition.
4. The cable can be installed any time after the meterbase is installed and the conduit is installed. The Cooperative will provide and install the cable(s) in the member provided conduit.
5. Approval of the owner's portion of the electrical installation by an inspector from a recognized electrical inspection agency is required before the installation can be energized.
6. Unusual circumstances not clearly defined in these specifications must be referred to United Electric's Engineering Department for review and recommendations. Final approval of materials and installation must be made by the Cooperative.
7. In cases where the owner requests construction which deviates from these specifications, the owner shall pay any additional costs incurred by the Cooperative in meeting the request, provided, however, that no deviation shall be permitted which does not comply with National Electrical Code.
8. Telephone and other communications cables may be installed in the same trench with electrical service conductors, but at least 12" clearance must be maintained between electrical and other cables. Electrical cables may not be in the same trench with gas, water and/or sewer lines.