

Mast Type Service

United Electric Cooperative, Inc.

Phone: 1-888-581-8969

Mast height above roof 2 ft. minimum to 3 1/2 ft. maximum without guy.
(Any mast more than 3 1/2 ft. above roof must have a guy wire).
Conductors must extend at least 2 ft. beyond weatherhead.

Overhead triplex service drop and attachments furnished and installed by the Cooperative.

Exact location of mast must be approved by the Cooperative.

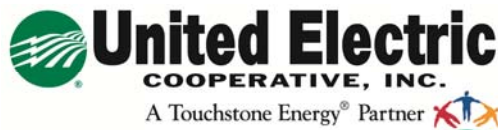
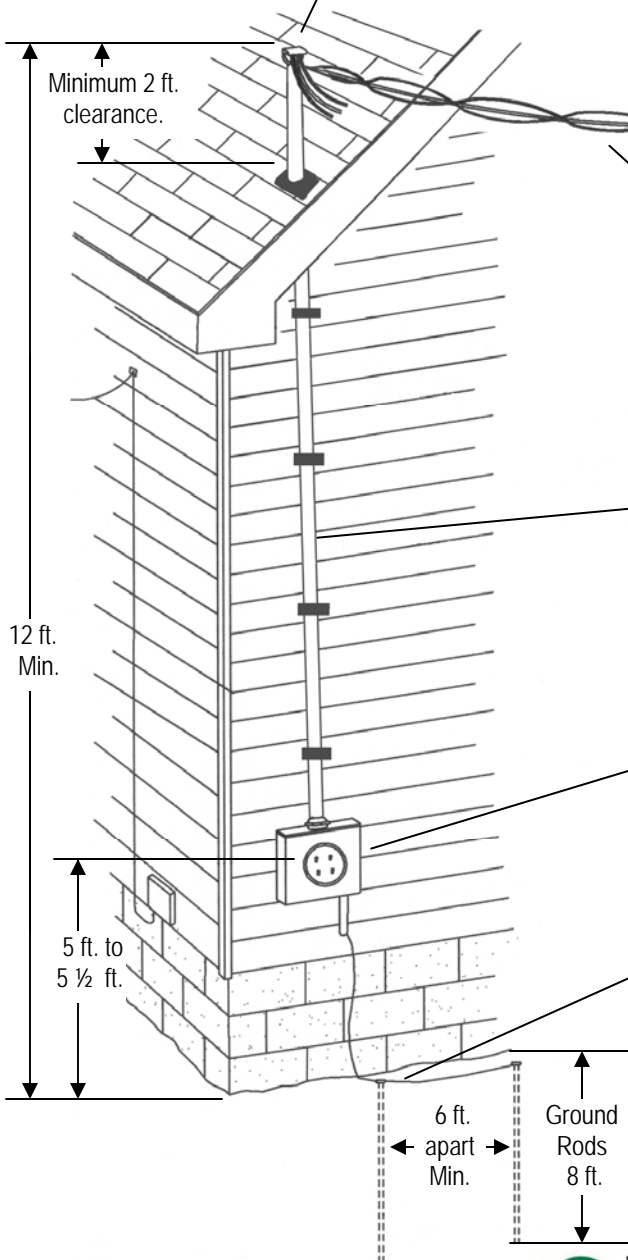
All equipment beyond this point (with the exception of the meter) is the property of the member and is the member's responsibility.

Not less than 12 ft. from grade to point of attachment. Service drop must be 16 1/2 ft. over residential driveways and parking areas; 18 ft. over commercial areas, agricultural areas, truck traffic, public roads, streets and alleys. If these clearances can not be maintained, a lift-pole may be required.

2 in. minimum rigid electrical conduit furnished and installed by Member.
Pipe straps sufficient to secure conduit to wall (furnished and installed by consumer). No pipe couplings installed above the roof.

Electric Meters must be located in an accessible area.
The area must be free of obstructions, i.e. trees, plants, fences.

Grounding - On a 200 AMP service, a continuous #4 copper grounding conductor is to be furnished and installed by the member or contractor from the entrance panel (breaker panel or fuse box in home) to two approved ground clamps and rods 8 ft. deep and 6 ft. apart. The service panel must also be grounded to the well casing or underground metallic water piping system if available. Continuous #6 copper grounding conductors are adequate for a 100 AMP Service.



Meter Base Specifications

Meter base must be furnished and installed by the owner or electrical contractor.

Meter base for aerial or underground services can be purchased from local electric distributors or dealers. They will not be provided by the Cooperative.

Meter base must meet the following specifications:

1. Pressure plates for connections.
2. 4 jaws
3. Ringless
4. Standard Knockouts
5. Steel case
6. Horn Type bypass
7. Unused hub opening and open knockouts shall have tamperproof closing plates Installed.
8. Multiple position bases shall have individual sealable cover for each position. Extra position wiring space (if provided) shall be located on or near center and shall have an individual sealable cover.
9. 100 Amp overhead meter base will be 8" high x 8" wide x 3 1/4" deep, minimum size with 1 1/4" hub.
10. 200 Amp overhead meter base will be 14" high x 8" wide x 3 1/2" deep, minimum size with 2" hub.

* The electrical service must pass inspection of an approved electrical inspection agency before it will be energized.